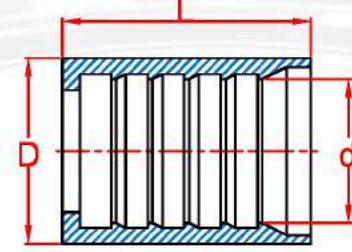


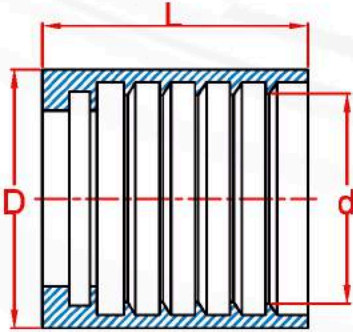
## R1 - R2 Soket

Hortum	L	D	d
3/16"	24	18	13
1/4"	29	20	13.5
5/16"	30	22	15.5
3/8"	33	25	18.1
1/2"	35-38	30-28	21.5
5/8"	41	32	24
3/4"	46	38	28.6
1"	53	45	36.5
1" 1/4	70	55	46
1" 1/2	70	62	51.5
2"	71	75	64.5
2" 1/2	72	91	79
3"	85	103	92.5



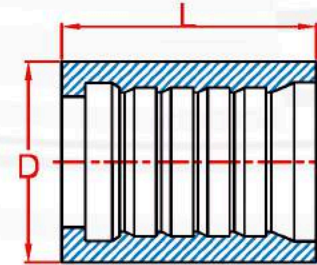
## R9 Soket

Hortum	L	D	d
3/8" 4SP	33	25	19
1/2" 4SP	37,5	30	22
5/8" 4SP	47	34	25.5
3/4" 4SP	51	38	29.5
1" 4SP-SH	63	45	36.5
1" 1/4 4SH	70	55	44
1" 1/2 4SH	70	62	50.8
2" 4SH	71	75	64.5



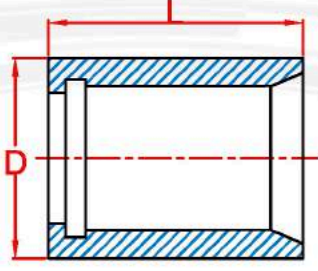
## R1-R2 Soymasız Soket

Hortum	L	D	d
1/4"	27	22	14
1/4"	26.50	22	15.4
5/16"	27	25	17.1
3/8"	28	26	19.5
1/2"	33	30	22.8
5/8"	36.5	34	26.1
3/4"	39	38	30.2
1"	45	50	38.6



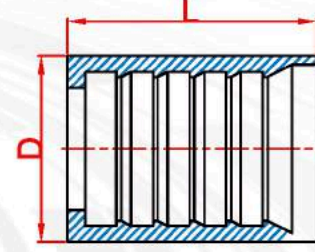
## Termoplastik Hortum Soketi (R7-R8)

Hortum	L	D
3/16"	23	14.5
1/4"	30	17
5/16"	30	20
3/8"	32	22
1/2"	34	25
5/8"	36	28.5
3/4"	45	32
1"	53	38



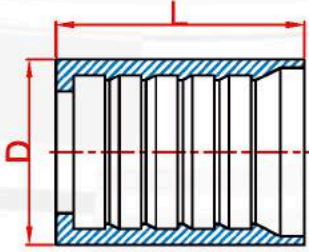
### Teflon Soket

Hortum	L	D
3/16"	27	12
1/4"	30	14
5/16"	30	16
3/8"	31	19
1/2"	34	24
5/8"	37	27
3/4"	42	30
1"	51	36.5



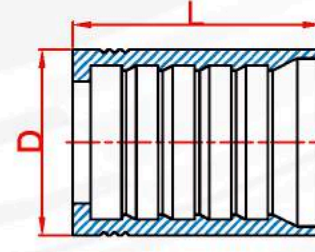
### R5 Soket

Hortum	L	D
3/16"	29	20
1/4"	29	20
5/16"	32	22
13/32"	33	26
1/2"	35	30
5/8"	41	35
7/8"	46	38
1 1/8"	53	45
1 3/8"	60	55
1 13/16"	65	67



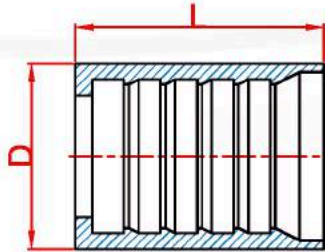
### Buhar Hortumlu Soket

Hortum	L	D
1/2"	35	30
3/4"	46	38
1"	53	45
1 1/4"	70	55
1 1/2"	70	62
2"	71	75



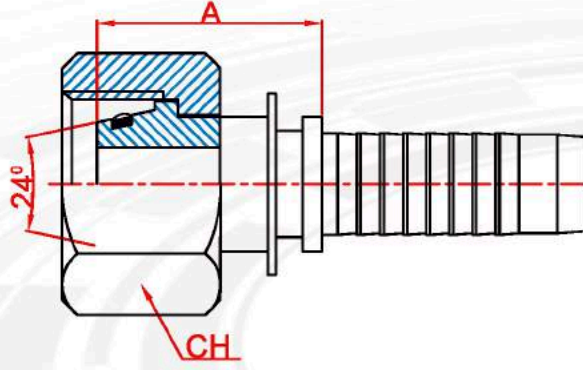
### Altı Telli Sıyrılmalı Tip Soket

Hortum	L	D
1" 1/4 R13-R15	88	60
1" 1/2 R13-R15	90	68
2" R13-R15	102	82



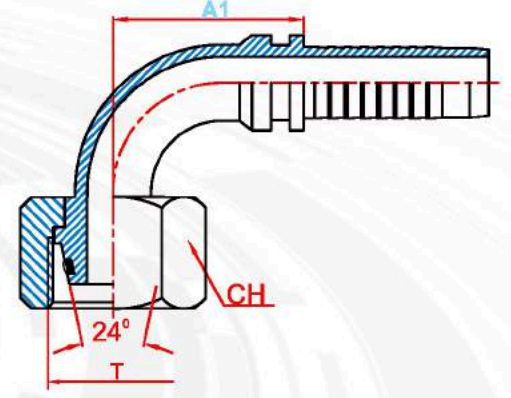
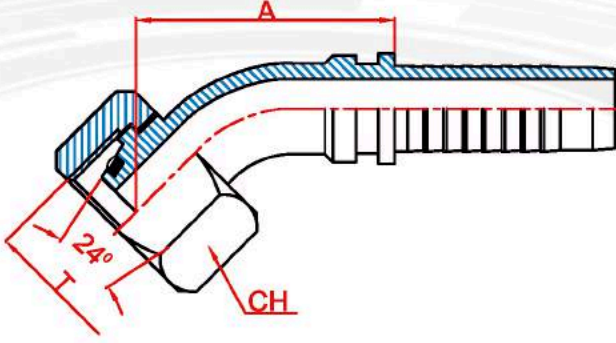
### Dört Telli Sıyrılmalı Tip Soket

Hortum	L	D
1"	74	45
1" 1/4	90	55
1" 1/2	92	62
2"	99	78

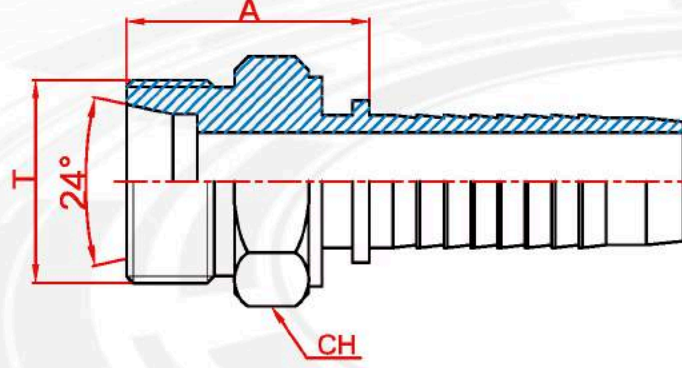


## Metrik (24°) Düz Hortum Rakorları

Hortum	Anma Ölçüsü	CH	A
3/16"	M12x1.5-6L	14	17
3/16"	M14x1.5-8L	17	17
1/4"	M12x1.5-6L	14	17.5
1/4"	M14x1.5-8L	17	17.5
1/4"	M16x1.5-10L	19	20.5
1/4"	M18x1.5-12L	22	20.5
5/16"	M14x1.5-8L	17	17.5
5/16"	M16x1.5-10L	19	20.5
5/16"	M18x1.5-12L	22	20.5
5/16"	M20x1.5-12S	24	22.8
3/8"	M16x1.5-10L	19	20.8
3/8"	M18x1.5-12L	22	20.8
3/8"	M20x1.5-12S	24	22.8
3/8"	M22x1.5-15L	27	22.8
3/8"	M24x1.5-16S	30	22.8
1/2"	M18x1.5-12L	22	23.3
1/2"	M20x1.5-12S	24	23.3
1/2"	M22x1.5-15L	27	23.3
1/2"	M24x1.5-16S	30	23.3
1/2"	M26x1.5-18L	32	24.8
1/2"	M30x2-20S	36	25
5/8"	M24x1.5-16S	30	25
5/8"	M26x1.5-18L	32	25
5/8"	M30x2-20S	36	33.5
3/4"	M30x2-20S	36	34.2
3/4"	M30x2-22L	36	32.2
3/4"	M36x2-25S	46	36.2
1"	M36x2-25S	46	39
1"	M36x2-28L	41	37
1"	M42x2-30S	50	40.5
1"	M45x2-35L	50	35.5
1" 1/4	M42x2-30S	50	35
1" 1/4	M45x2-35L	50	36.5
1" 1/4	M52x2-38S	60	44.5
1" 1/2	M52x2-38S	60	49
1" 1/2	M52x2-42L	60	46

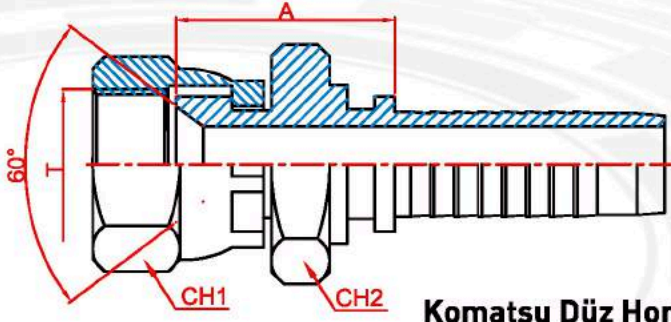
**Metrik (24°) 45° - 90° Hortum Rakorları**

Hortum	Anma Ölçüsü	CH	A	A1
3/16"	M12x1.5-6L	14	39.9	22.5
3/16"	M14x1.5-8L	17	39.9	22.5
1/4"	M12x1.5-6L	14	40.4	23
1/4"	M14x1.5-8L	17	40.4	23
1/4"	M16x1.5-10L	19	47.5	35
1/4"	M18x1.5-12L	22	47.5	35
5/16"	M14x1.5-8L	17	40.4	35
5/16"	M16x1.5-10L	19	47.5	35
5/16"	M18x1.5-12L	22	47.5	35
5/16"	M20x1.5-12S	24	47.5	35
3/8"	M16x1.5-10L	19	47.8	35.3
3/8"	M18x1.5-12L	22	47.8	35.3
3/8"	M20x1.5-12S	24	50.2	35.3
3/8"	M22x1.5-15L	27	50.2	41.8
3/8"	M24x1.5-16S	30	50.2	42
1/2"	M18x1.5-12L	22	50.7	42.3
1/2"	M20x1.5-12S	24	50.7	42.3
1/2"	M22x1.5-15L	27	50.7	42.3
1/2"	M24x1.5-16S	30	56.7	42.3
1/2"	M26x1.5-18L	32	57.4	44
1/2"	M30x2-20S	36	59	48
5/8"	M24x1.5-16S	30	58.6	46
5/8"	M26x1.5-18L	32	58.6	46
5/8"	M30x2-20S	36	59	50
3/4"	M30x2-20S	36	73	55
3/4"	M30x2-22L	36	69.5	53
3/4"	M36x2-25S	46	71	55
1"	M36x2-25S	46	88	71
1"	M36x2-28L	41	86.5	70
1"	M42x2-30S	50	97	70
1"	M45x2-35L	50	94	71
1" 1/4	M42x2-30S	50	94.5	75
1" 1/4	M45x2-35L	50	94.5	76
1" 1/4	M52x2-38S	60	97	84
1" 1/2	M52x2-38S	60	114.5	92
1" 1/2	M52x2-42L	60	114	92

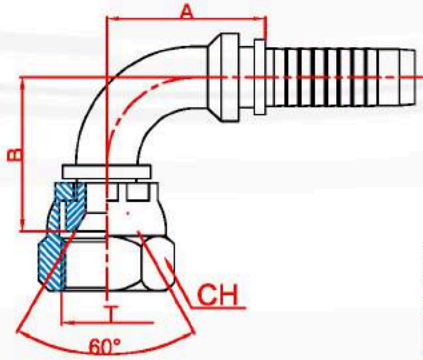


## Metrik (24°) Erkek Hortum Rakorları

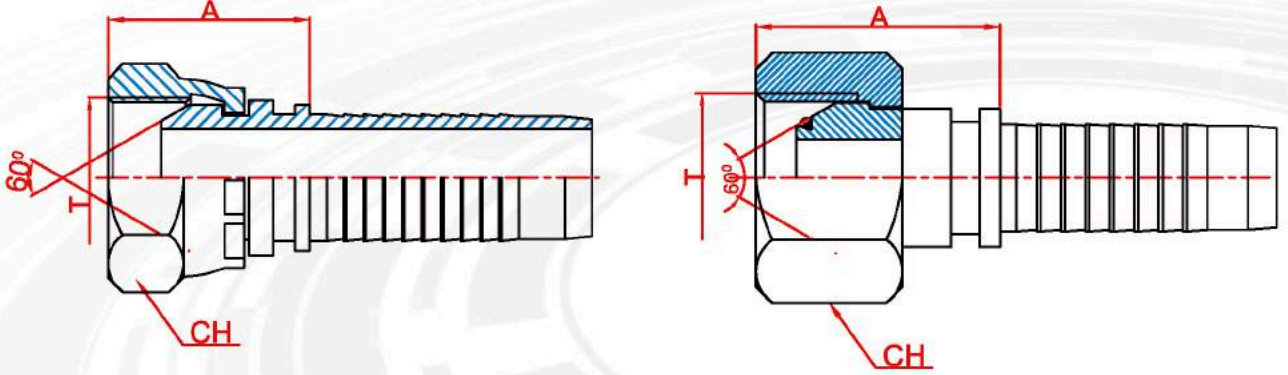
Hortum	Anma Ölçüsü	CH	A
3/16"	M12x1.5-6L	12	23
1/4"	M12x1.5-6L	12	24.5
1/4"	M14x1.5-8L	14	25.5
1/4"	M16x1.5-10L	17	26
1/4"	M18x1.5-12L	19	26.5
5/16"	M14x1.5-8L	14	25
5/16"	M16x1.5-10L	17	26
5/16"	M18x1.5-12L	19	26.5
5/16"	M20x1.5-12S	22	27
3/8"	M16x1.5-10L	17	24.5
3/8"	M18x1.5-12L	19	25.5
3/8"	M20x1.5-12S	22	27
3/8"	M22x1.5-15L	22	29.5
1/2"	M18x1.5-12L	19	25.5
1/2"	M22x1.5-15L	22	28
1/2"	M24x1.5-16S	24	31
5/8"	M24x1.5-16S	24	30
5/8"	M26x1.5-18L	27	28
5/8"	M30x2-20S	32	32.5
3/4"	M30x2-22L	32	32.5
3/4"	M30x2-20S	32	34
3/4"	M36x2-25S	36	36.5
1"	M36x2-28L	36	36.5
1"	M36x2-25S	36	37.5
1"	M42x2-30S	46	39.5
1"	M45x2-35L	46	39.5
1" 1/4	M45x2-35L	46	40
1" 1/4	M52x2-42L	55	44
1" 1/4	M52x2-38S	55	45.5
1" 1/2	M52x2-42L	55	44
1" 1/2	M52x2-38S	55	45.5

**Komatsu Düz Hortum Rakorları  
(Metrik İçe Havşa)**

Hortum	Ölçü (T)	CH1	CH2	A
1/4"	M14x1.5	19	14	14.5
5/16"	M14x1.5	19	14	15.5
5/16"	M16x1.5	22	17	17
5/16"	M18x1.5	22	19	17
3/8"	M16x1.5	22	17	17.3
3/8"	M18x1.5	22	19	17.3
1/2"	M22x1.5	27	22	18.3
1/2"	M24x1.5	30	24	18.3
5/8"	M24x1.5	30	24	18.5
3/4"	M30x1.5	36	30	19.5
1"	M33x1.5	41	36	26.3
1" 1/4	M36x1.5	46	41	22.3
1" 1/4	M42x1.5	50	46	25.8
1" 1/2	M42x1.5	50	46	26.3

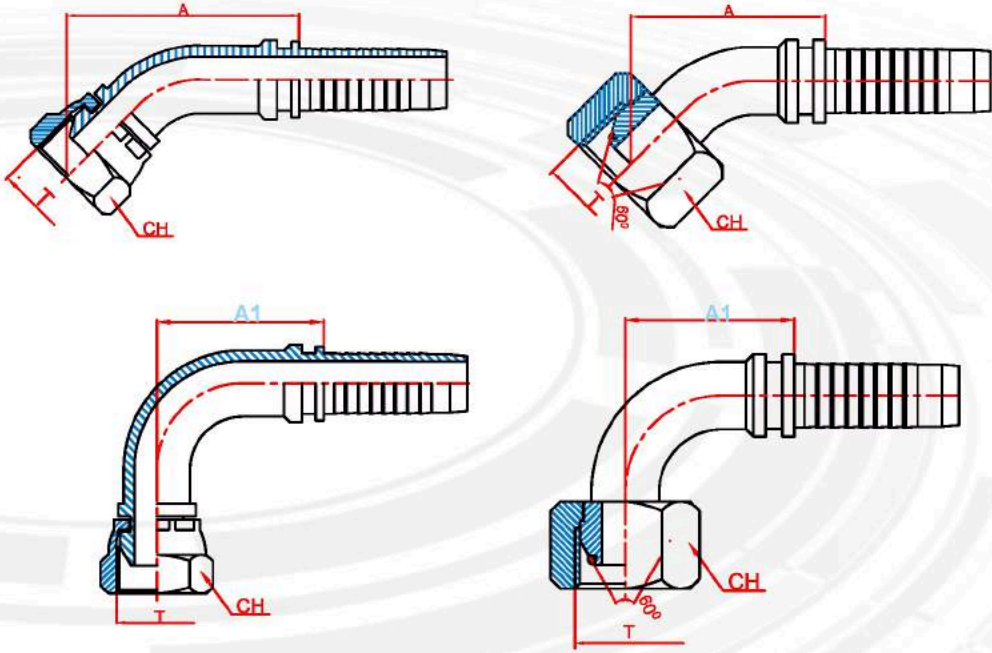
**Komatsu 90° Hortum Rakorları  
(Metrik İçe Havşa)**

Hortum	Ölçü (T)	CH	A	B
1/4"	M14x1.5	19	23.5	22.5
5/16"	M14x1.5	19	24.5	25
5/16"	M16x1.5	22	24.5	25
5/16"	M18x1.5	22	34.8	33
3/8"	M16x1.5	22	34.8	29.5
3/8"	M18x1.5	22	34.8	33
1/2"	M22x1.5	27	41.8	35.5
5/8"	M24x1.5	30	57	48
3/4"	M30x1.5	36	56	50



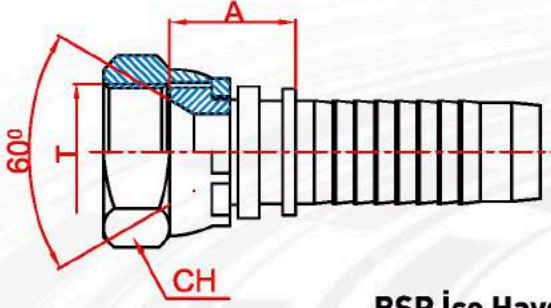
## BSP 60° (Dışa Konik) Düz Hortum Rakorları

Hortum	Ölçü [T]	CH	A
3/16"	1/8" - 28	14	17
1/4"	1/8" - 28	14	17.5
3/16"	1/4" - 19	19	17
1/4"	1/4" - 19	19	17.5
5/16"	1/4" - 19	19	17.5
3/8"	1/4" - 19	19	17.8
1/4"	3/8" - 19	22	20.5
5/16"	3/8" - 19	22	20.5
3/8"	3/8" - 19	22	20.8
1/4"	1/2" - 14	27	22.5
5/16"	1/2" - 14	27	20.5
3/8"	1/2" - 14	27	22.8
1/2"	1/2" - 14	27	23.3
5/8"	1/2" - 14	27	23.5
1/2"	5/8" - 14	27	23.3
5/8"	5/8" - 14	27	23.5
1/2"	3/4" - 14	32	24.8
5/8"	3/4" - 14	32	25
3/4"	3/4" - 14	32	25
3/4"	1" - 11	41	25.5
1"	1" - 11	41	26.8
1"	1" 1/4 - 11	50	30.3
1" 1/4	1" 1/4 - 11	50	29
1" 1/4	1" 1/2 - 11	55	34.5
1" 1/2	1" 1/2 - 11	55	35.3
1" 1/2	2" - 11	70	36.3
2"	2" - 11	70	36.3
2" 1/2	2" 1/2 - 11	82	65
3"	3" - 11	100	54

**BSP 60° (Dışa Konik) Düğ Hortum 45° - 90° Hortum Rakorları**

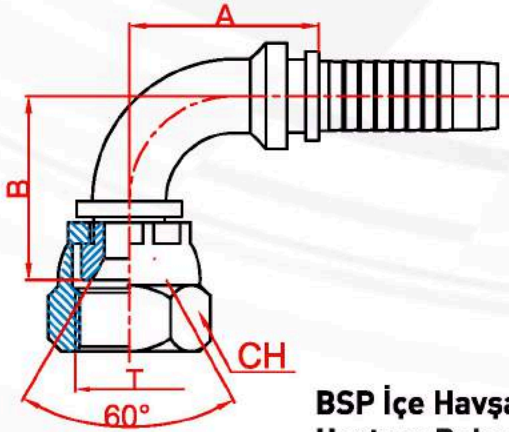
Hortum	Ölçü (T)	CH	A	A1
3/16"	1/8" - 28	14	40	29
1/4"	1/8" - 28	14	40.5	29.5
3/16"	1/4" - 19	19	40	29
1/4"	1/4" - 19	19	40.5	29.5
5/16"	1/4" - 19	19	40.5	29.5
3/8"	1/4" - 19	19	40.7	34.8
1/4"	3/8" - 19	22	47.5	34.5
5/16"	3/8" - 19	22	47.5	34.5
3/8"	3/8" - 19	22	47.8	34.8
1/4"	1/2" - 14	27	50	37.5
5/16"	1/2" - 14	27	51	37
3/8"	1/2" - 14	27	50.2	36.8
1/2"	1/2" - 14	27	50.7	38.3
5/8"	1/2" - 14	27	51	42.5
1/2"	5/8" - 14	27	56.7	41.3
5/8"	5/8" - 14	27	57	42.5
1/2"	3/4" - 14	32	62	47.3
5/8"	3/4" - 14	32	62	48.5
3/4"	3/4" - 14	32	62	48.5
3/4"	1" - 11	41	72.4	56
1"	1" - 11	41	73.7	57.3
1"	1" 1/4 - 11	50	83.8	63.8
1" 1/4	1" 1/4 - 11	50	83.8	63.8
1" 1/4	1" 1/2 - 11	55	103.3	79.8
1" 1/2	1" 1/2 - 11	55	103.8	79.8
1" 1/2	2" - 11	70	118	101.3
2"	2" - 11	70	118	101.5
2" 1/2	2" 1/2 - 11	82		
3"	3" - 11	100		





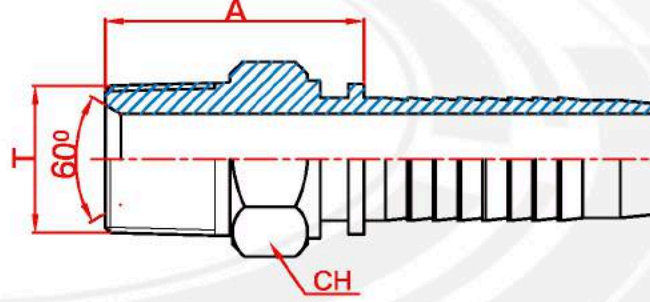
## BSP İçe Havşa Düz Hortum Rakorları

Hortum	Ölçü (T)	CH	A
1/4"	1/4 R	19	17.8
3/8"	3/8" R	22	18.5
5/16"	1/2" R	27	20
3/8"	1/2" R	27	18
1/2"	1/2" R	27	21
5/8"	3/4" R	32	23.5
3/4"	3/4" R	32	24.7
1"	1" R	41	27
1" 1/4	1" 1/4 R	50	32.5
1" 1/2	1" 1/2 R	55	36
2"	2" R	70	25

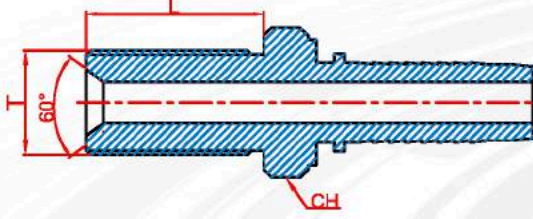


## BSP İçe Havşa 90° Hortum Rakorları

Hortum	Ölçü (T)	CH	A	B
1/4"	1/4 R	19	25	25
3/8"	3/8" R	22	30	31
5/16"	1/2" R	27	32	33
3/8"	1/2" R	27	34	33.5
1/2"	1/2" R	27	36	35
5/8"	3/4" R	32	46	45
3/4"	3/4" R	32	55	52
1"	1" R	41	70	68
1" 1/4	1" 1/4 R	50	85	83
1" 1/2	1" 1/2 R	55	101	98
2"	2" R	70	128	114.5

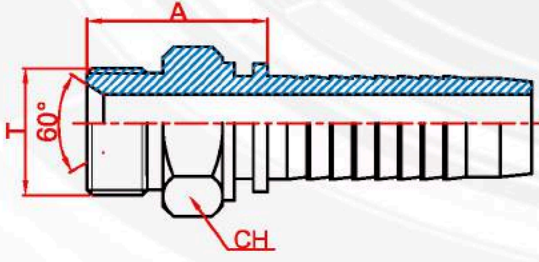
**NPT Konik Erkek Hortum Rakorları**

Hortum	Ölçü (T)	CH	A
3/16"	1/8" - 28	12	23
1/4"	1/8" - 28	12	26.5
3/16"	1/4" - 19	14	27
1/4"	1/4" - 19	14	27
5/16"	1/4" - 19	14	27
3/8"	1/4" - 19	14	27
1/4"	3/8" - 19	19	28
5/16"	3/8" - 19	19	28
3/8"	3/8" - 19	19	28
1/2"	3/8" - 19	19	26
1/4"	1/2" - 14	22	34
5/16"	1/2" - 14	22	34.5
3/8"	1/2" - 14	22	34
1/2"	1/2" - 14	22	31.5
1/2"	3/4" - 14	30	33.5
5/8"	3/4" - 14	30	33
3/4"	3/4" - 14	30	36.5
3/4"	1" - 11	36	42.5
1"	1" - 11	36	43.5
1"	1" 1/4 - 11	46	45.5
1" 1/4	1" 1/4 - 11	46	46
1" 1/4	1" 1/2 - 11	50	48
1" 1/2	1" 1/2 - 11	50	49
1" 1/2	2" - 11	65	49
2"	2" - 11	65	41
2" 1/2	2" 1/2 - 11	70	
3"	3" - 11		



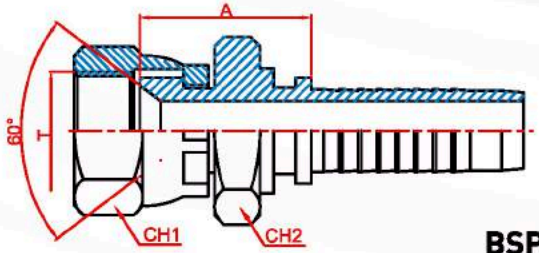
## JCB Erkek (Uzun) Hortum Rakorları

Hortum	Ölçü (T)	CH	L
1/2"	1/2" - 14	27	30
5/8"	5/8" - 14	27	35
3/4"	3/4" - 14	32	38



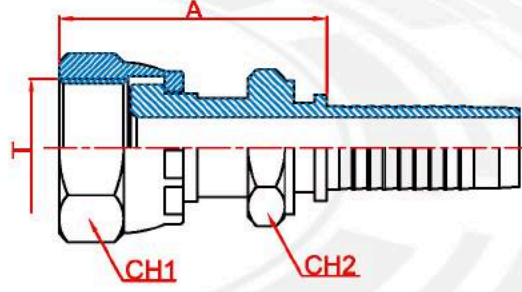
## BSP Havşalı Erkek Hortum Rakorları

Hortum	Ölçü (T)	CH	A
1/4"	1/4" - 19	19	27
3/8"	3/8" - 19	22	29
1/4"	1/2" - 14	27	30.5
5/16"	1/2" - 14	27	32.5
3/8"	1/2" - 14	27	32.5
1/2"	1/2" - 14	27	33
3/4"	3/4" - 14	32	36
1"	1" - 11	41	39.5



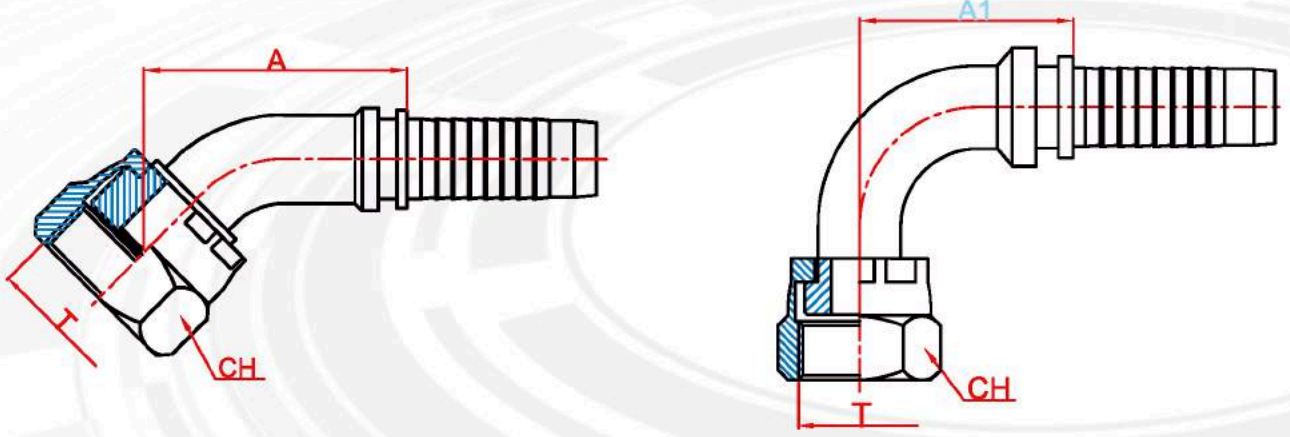
## BSP İçe Havşa Düz (A.K.) Hortum Rakorları

Hortum	Ölçü (T)	CH1	CH2	A
1/4"	1/4" - 19	14	14	14.5
3/8"	3/8" - 19	22	19	17.3
1/2"	1/2" - 14	27	22	18.3
3/4"	3/4" - 14	32	27	19.5
1"	1" - 11	41	36	22.3



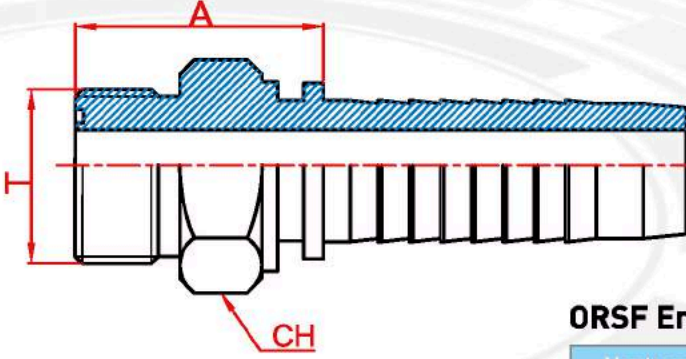
### ORFS Düz Hortum Rakorları

Hortum	Ölçü (T)	CH1	CH2
1/4"	9/16" -18	19	14
5/16"	9/16" -18	19	14
3/8"	9/16" -18	19	14
1/4"	11/16" - 16	22	19
5/16"	11/16" - 16	22	19
3/8"	11/16" - 16	22	19
1/2"	11/16" - 16	22	19
5/16"	13/16" - 16	24	19
3/8"	13/16" - 16	24	19
1/2"	13/16" - 16	24	19
5/8"	13/16" - 16	24	27
1/2"	1" - 14	30	27
5/8"	1" - 14	30	27
3/4"	1" - 14	30	27
5/8"	1" 3/16 - 12	36	30
3/4"	1" 3/16 - 12	36	30
1"	1" 3/16 - 12	36	36
3/4"	1" 7/16 - 12	41	36
1"	1" 7/16 - 12	41	36
1" 1/4	1" 7/16 - 12	41	46
1"	1" 11/16 - 12	50	46
1" 1/4	1" 11/16 - 12	50	46
1" 1/2	1" 11/16 - 12	50	46
1" 1/4	2" - 12	60	55
1" 1/2	2" - 12	60	55



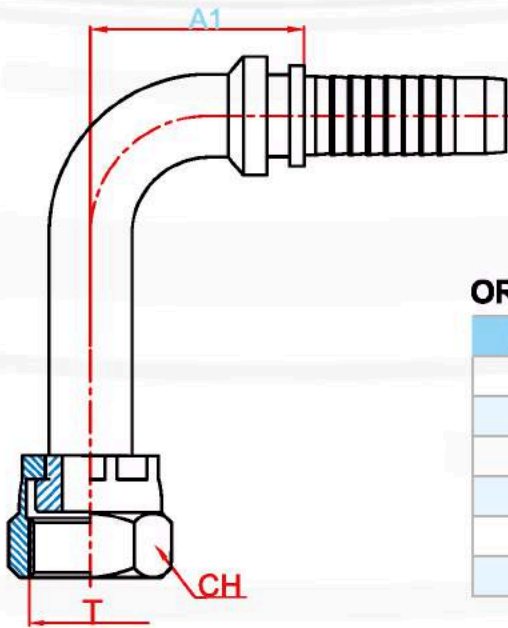
## ORFS 45° - 90° Hortum Rakorları

Hortum	Ölçü (T)	CH	A	A1
1/4"	9/16" - 18	19	31.4	31.4
5/16"	9/16" - 18	19	31.4	31.4
3/8"	9/16" - 18	19	31.7	31.7
1/4"	11/16" - 16	22	34.4	34.4
5/16"	11/16" - 16	22	34.4	34.4
3/8"	11/16" - 16	22	34.7	34.7
1/2"	11/16" - 16	22	35.2	35.2
5/16"	13/16" - 16	24	38.7	38.7
3/8"	13/16" - 16	24	39	39
1/2"	13/16" - 16	24	39.5	39.5
5/8"	13/16" - 16	24	39.7	39.7
1/2"	1" - 14	30	40.5	40.5
5/8"	1" - 14	30	40.7	40.7
3/4"	1" - 14	30	40.7	40.7
5/8"	1" 3/16 - 12	36	49.8	49.8
3/4"	1" 3/16 - 12	36	49.8	49.8
1"	1" 3/16 - 12	36	51	51
3/4"	1" 7/16 - 12	41	51.4	51.4
1"	1" 7/16 - 12	41	52.7	52.7
1" 1/4	1" 7/16 - 12	41	52.7	52.7
1"	1" 11/16 - 12	50	69.3	69.3
1" 1/4	1" 11/16 - 12	50	69.3	69.3
1" 1/2	1" 11/16 - 12	50	69.8	69.8
1" 1/4	2" - 12	60	85.3	85.3
1" 1/2	2" - 12	60	85.8	85.8



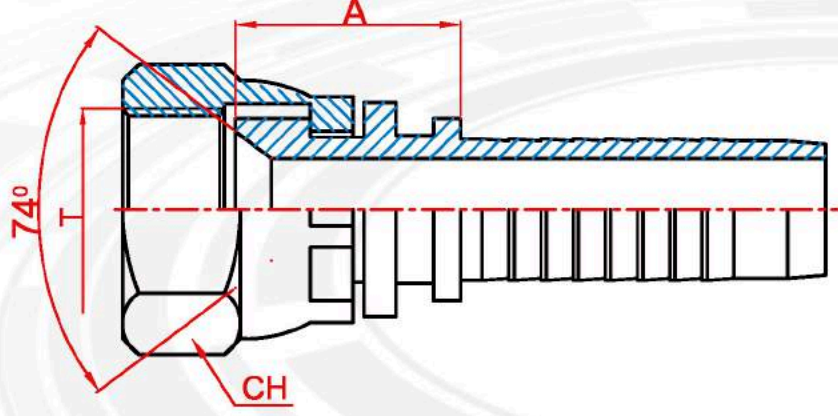
### ORSF Erkek Hortum Rakorları

Hortum	Ölçü (T)	CH	A
1/4"	9/16" - 18	17	26.5
1/4"	11/16" - 16	19	28
5/16"	9/16" - 18	17	26.5
5/16"	11/16" - 16	19	28.5
3/8"	9/16" - 18	17	26.5
3/8"	11/16" - 16	19	28.8
3/8"	13/16" - 16	22	29.5
1/2"	13/16" - 16	22	29.8
1/2"	1" - 14	27	32.5
5/8"	1" - 14	27	32.5
5/8"	1" 3/16 - 12	32	35
3/4"	1" 3/16 - 12	32	35.5
3/4"	1" 7/16 - 12	36	40
1"	1" 7/16 - 12	36	40.8
1" 1/4	1" 11/16 - 12	46	41



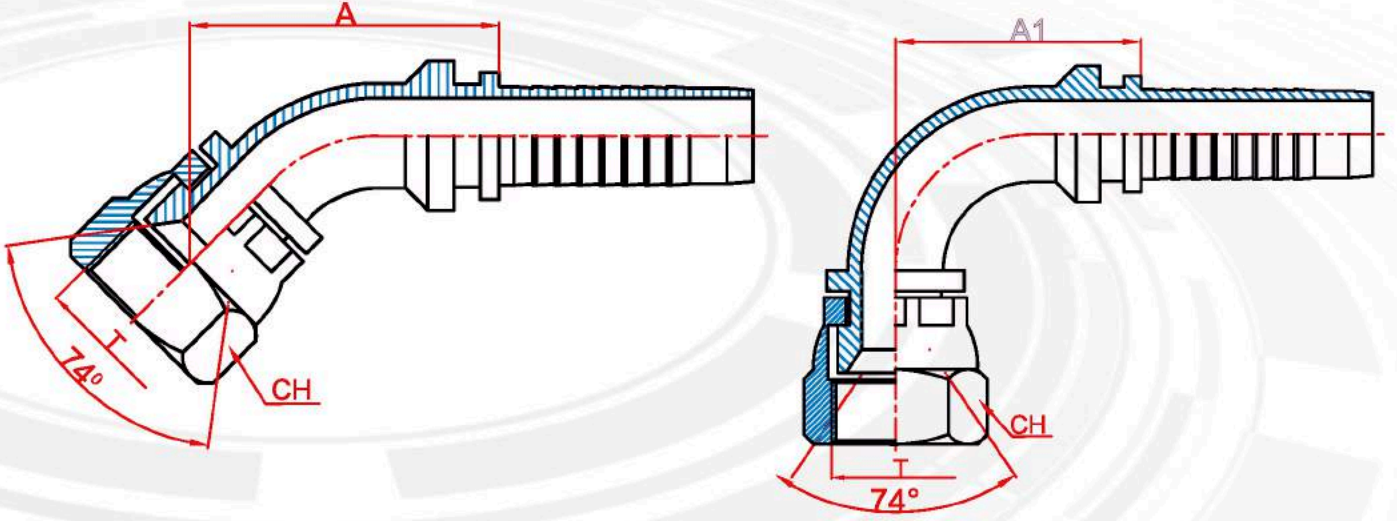
### ORFS UZUN 90° Hortum Rakorları

Hortum	Ölçü (T)	CH	A	B
3/8"	11/16" - 16	22	30	65
1/2"	13/16" - 16	24	36	70
1/2"	1" - 14	30	36	80
5/8"	1" - 14	30	36	80
3/4"	1" 3/16 - 12	36	55	95
1"	1" 7/16 - 12	41	80	126



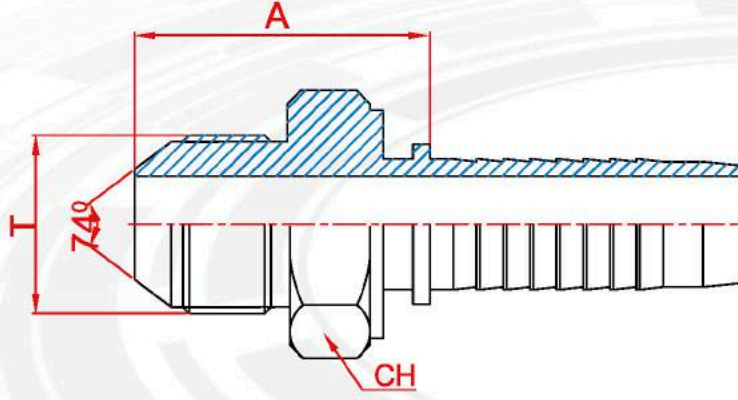
## WITHWORTH (J.I.C 74°) Düz Hortum Rakorları

Hortum	Ölçü (T)	CH	A
3/16"	7/16" - 20	15	13.5
1/4"	7/16" - 20	15	14
3/16"	1/2" - 20	17	15.5
1/4"	1/2" - 20	17	16
5/16"	1/2" - 20	17	16
1/4"	9/16" - 18	19	15.5
5/16"	9/16" - 18	19	15.5
3/8"	9/16" - 18	19	15.8
5/16"	5/8" - 18	22	16.5
3/8"	5/8" - 18	22	17.3
5/16"	3/4" - 16	24	18.8
3/8"	3/4" - 16	24	18.8
1/2"	3/4" - 16	24	18.8
3/8"	7/8" - 14	27	20.3
1/2"	7/8" - 14	27	20.6
5/8"	7/8" - 14	27	21
3/4"	7/8" - 14	27	21.5
1/2"	1" 1/16 - 12	32	23.5
5/8"	1" 1/16 - 12	32	23.5
3/4"	1" 1/16 - 12	32	23.5
1"	1" 1/16 - 12	32	25.8
3/4"	1" 5/16 - 12	41	25
1"	1" 5/16 - 12	41	26.8
1"	1" 5/8 - 12	50	27.8
1" 1/4	1" 5/8 - 12	50	27.8
1" 1/4	1" 7/8 - 12	55	28.8
1" 1/2	1" 7/8 - 12	55	30.3
2"	2" 1/2 - 12	70	32

**WITHWORTH (J.I.C 74°) 45° - 90° Hortum Rakorları**

Hortum	Ölçü [T]	CH	A	A1
3/16"	7/16" - 20	15	30.8	23
1/4"	7/16" - 20	15	31.3	23.5
3/16"	1/2" - 20	17	32.2	23
1/4"	1/2" - 20	17	32.7	23.5
5/16"	1/2" - 20	17	32.7	24.5
1/4"	9/16" - 18	19	33	23.5
5/16"	9/16" - 18	19	33	24.5
3/8"	9/16" - 18	19	40.2	34.8
5/16"	5/8" - 18	22	39	34
3/8"	5/8" - 18	22	42	33
5/16"	3/4" - 16	24	42.7	34.8
3/8"	3/4" - 16	24	42.7	34.8
1/2"	3/4" - 16	24	49.8	41.8
3/8"	7/8" - 14	27	49	39.3
1/2"	7/8" - 14	27	51.5	42.3
5/8"	7/8" - 14	27	60.7	57
3/4"	7/8" - 14	27	60.7	57
1/2"	1" 1/16 - 12	32	62	56
5/8"	1" 1/16 - 12	32	62	56
3/4"	1" 1/16 - 12	32	62	56
1"	1" 1/16 - 12	32	80	70
3/4"	1" 5/16 - 12	41	65	56
1"	1" 5/16 - 12	41	81.5	76.8
1"	1" 5/8 - 12	50	83	77.8
1" 1/4	1" 5/8 - 12	50	84.4	77.8
1" 1/4	1" 7/8 - 12	55	92	77.8
1" 1/2	1" 7/8 - 12	55	117	101
2"	2" 1/2 - 12	70	140	123





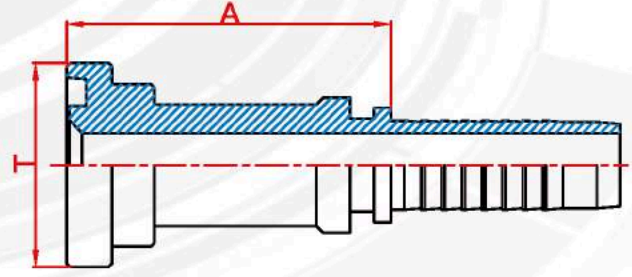
## WITHWORTH (J.I.C 74°) Erkek Hortum Rakorları

Hortum	Ölçü (T)	CH	A
3/16"	7/16" - 20	12	25
1/4"	7/16" - 20	12	27.5
3/16"	1/2" - 20	14	27.5
1/4"	1/2" - 20	14	29
5/16"	1/2" - 20	14	28
1/4"	9/16" - 18	17	29
5/16"	9/16" - 18	17	29
3/8"	9/16" - 18	17	28.5
5/16"	5/8" - 18	17	29
3/8"	5/8" - 18	17	29
3/8"	3/4" - 16	19	33
1/2"	3/4" - 16	19	33.5
3/8"	7/8" - 14	22	35
1/2"	7/8" - 14	22	36.5
5/8"	7/8" - 14	22	36
1/2"	1" 1/16 - 12	27	40
5/8"	1" 1/16 - 12	27	39.5
3/4"	1" 1/16 - 12	27	40.5
1"	1" 1/16 - 12	32	42.5
3/4"	1" 5/16 - 12	36	43
1"	1" 5/16 - 12	36	45
1" 1/4	1" 5/8 - 12	46	48
1" 1/2	1" 7/8 - 12	50	54



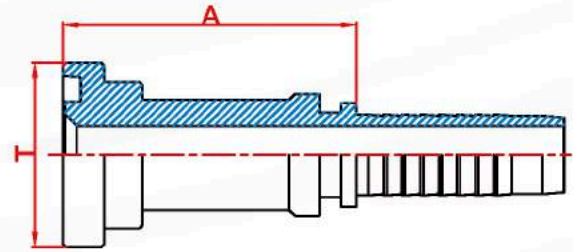
### Flanşlı (SAE 3000) Düz Hortum Rakorları

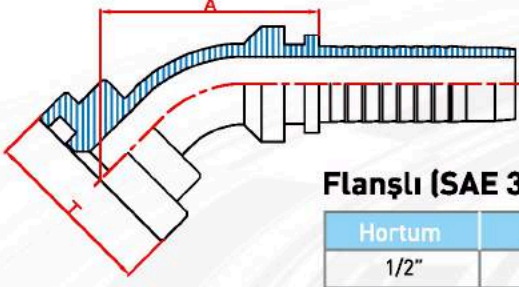
Hortum	Flanş (T)	A
1/2"	30.2	46
1/2"	38.1	53.6
5/8"	38.1	56
3/4"	38.1	54
3/4"	44.5	59.5
1"	38.1	53
1"	44.5	58.8
1"	50.8	64.8
1"	60.3	72.5
1" 1/4	44.5	63.5
1" 1/4	50.8	66.8
1" 1/4	60.3	73.8
1" 1/2	60.3	74.3
1" 1/2	71.4	78.5
2"	71.4	79.5
2" 1/2	84.12	79.5
3"	101.60	
3" 1/2	114.30	
4"	127	



### Flanşlı (SAE 6000) Düz Hortum Rakorları

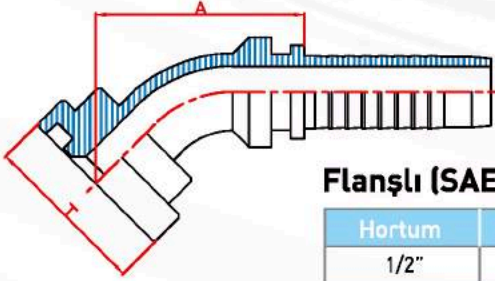
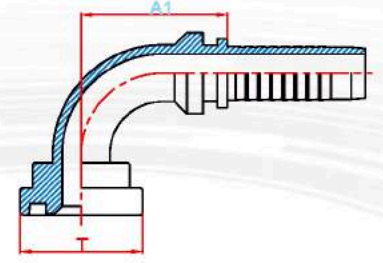
Hortum	Flanş (T)	A
1/2"	31.7	57.5
1/2"	41.3	59
5/8"	31.7	58
5/8"	41.3	59.5
3/4"	41.3	59.5
3/4"	47.6	67.5
1"	41.3	66.8
1"	47.6	68.5
1"	54	77
1" 1/4	47.6	74.8
1" 1/4	54	77.3
1" 1/4	63.5	86.8
1" 1/2	63.5	87.3
2"	79.4	94.5





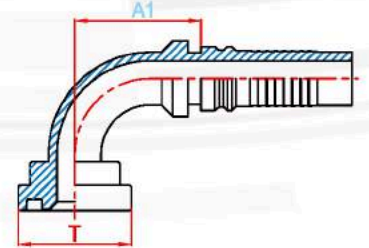
**Flanşlı (SAE 3000) 45° - 90° Hortum Rakorları**

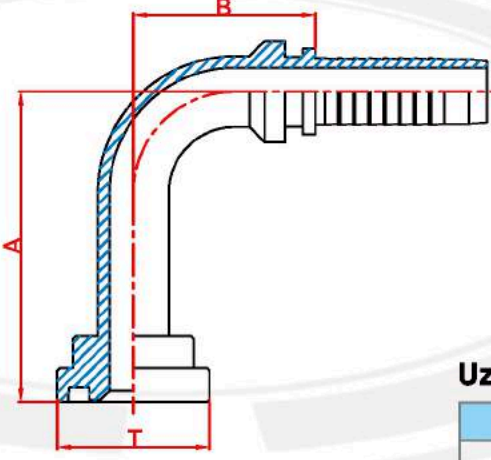
Hortum	Flanş (T)	A	A1
1/2"	30.2	40.5	38.5
1/2"	38.1	51	47.3
5/8"	38.1	52	47.5
3/4"	38.1	63.2	47.5
3/4"	44.5	63.2	58
1"	38.1	63.5	59.3
1"	44.5	79.6	59
1"	50.8	79.6	65.8
1"	60.3	84.5	81
1" 1/4	44.5	80	65.8
1" 1/4	50.8	84	65.8
1" 1/4	60.3	86.5	81.8
1" 1/2	60.3	87	82.3
1" 1/2	71.4	101.5	103
2"	71.4	101.5	103.5
2" 1/2	84.12	101.5	
3"	101.60		
3" 1/2	114.30		
4"	127		



**Flanşlı (SAE 6000) 45° - 90° Hortum Rakorları**

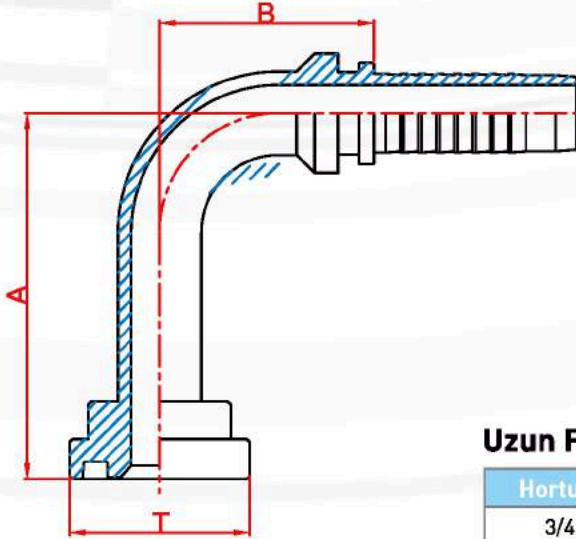
Hortum	Flanş (T)	A	A1
1/2"	31.7	43	38
1/2"	41.3	54	47.3
5/8"	31.7	44	39
5/8"	41.3	54.5	47.5
3/4"	41.3	54.5	47.5
3/4"	47.6	66	58
1"	41.3	65.8	48.8
1"	47.6	67.3	59.3
1"	54	76	65.8
1" 1/4	47.6	68	65.8
1" 1/4	54	76	65.8
1" 1/4	63.5	96.3	81.8
1" 1/2	63.5	96.8	82.3
2"	79.4	109	103.5





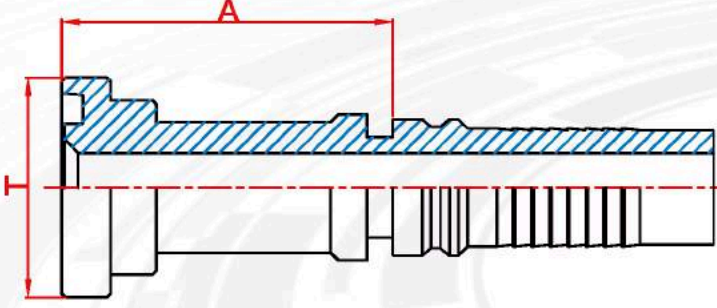
**Uzun Flanşlı (SAE 3000) 90° Hortum Rakorları**

Hortum	Flanş (T)	A	B
3/4"	38.1	122.5	67.5
3/4"	44.5	126.5	70
1"	38.1	125	60
1"	44.5	126.5	71.8
1"	50.8	132	71
1" 1/4	50.8	178	97.8
1" 1/2	60.3	220	120.3



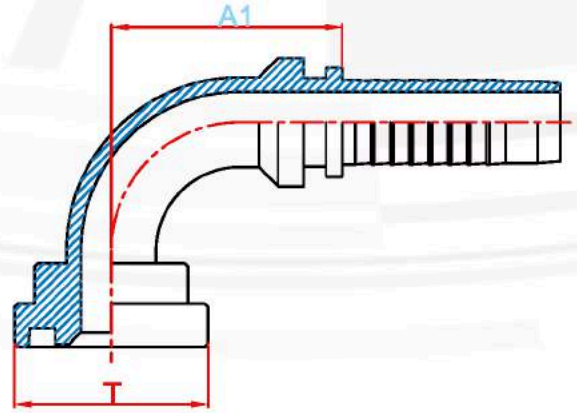
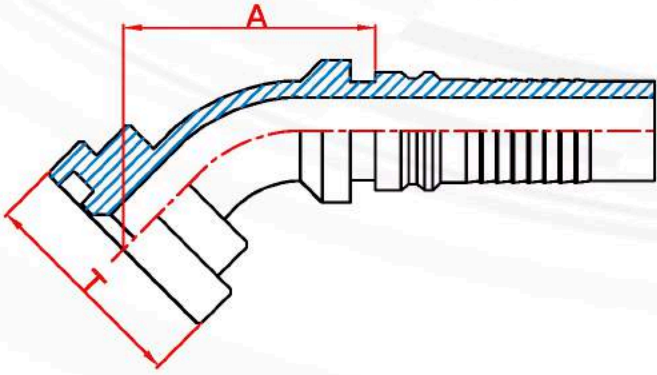
**Uzun Flanşlı (SAE 6000) 90° Hortum Rakorları**

Hortum	Flanş (T)	A	B
3/4"	41.3	126	67.5
1"	47.6	132	71.8
1"	54	132	80
1" 1/4	54	184.5	97.8



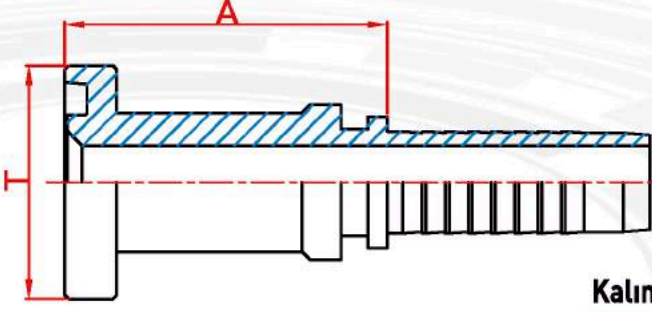
**Flanşlı (SAE 6000) Düz Sıyırnalı Hortum Rakorları**

Hortum	Ölçü (T)	A
1" 1/4	54	74
1" 1/4	63.5	60
1" 1/2	63.5	59.5
2"	79.4	90



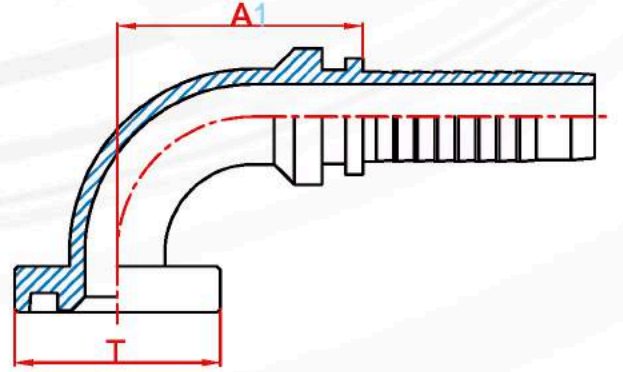
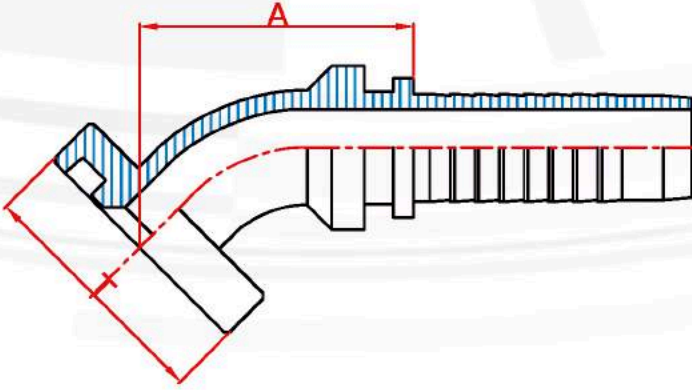
**Flanşlı (SAE 6000) 45°- 90° Sıyırnalı Hortum Rakorları**

Hortum	Ölçü (T)	A	A1
1" 1/4	54	74	62
1" 1/4	63.5	93	79
1" 1/2	63.5	93.5	78.5
2"	79.4	105	99.5



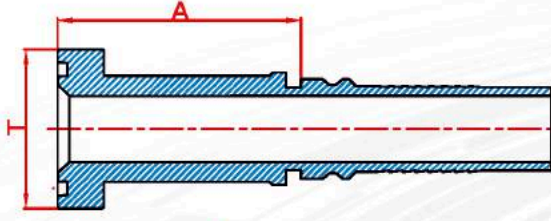
**Kalın Flaşlı (SAE 6000) Düz Hortum Rakorları**

Hortum	Ölçü (T)	A
3/4"	41.3	49.5
1"	47.6	57
1"	54	62.3
1"	63.5	66.5
1" 1/4	47.6	63.3
1" 1/4	54	63
1" 1/4	63.5	69.3
1" 1/2	63.5	69.8



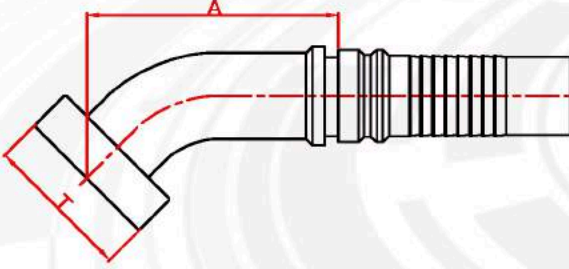
**Kalın Flaşlı (SAE 6000) 45°- 90° Sıyrmalı Hortum Rakorları**

Hortum	Ölçü (T)	A	A1
3/4"	41.3	46.5	39.5
1"	47.6	56.5	48
1"	54	61.5	52
1"	63.5	81	64.5
1" 1/4	47.6	61	51
1" 1/4	54	62	53
1" 1/4	63.5	81.5	64.5
1" 1/2	63.5	81.8	65



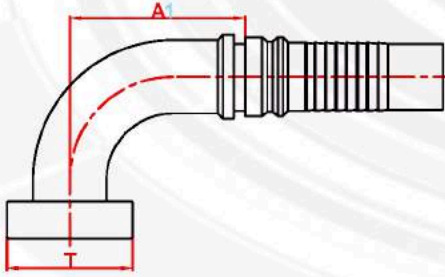
**Kalın Flanşlı (SAE 6000) Sıyırma Düz Hortum Rakorları**

Hortum	Ölçü (T)	A
1" 1/4	54	60
1" 1/4	63.5	62.3
1" 1/2	63.5	65.8



**Kalın Flanşlı (SAE 6000) 45°- 90° Sıyırma Hortum Rakorları**

Hortum	Ölçü (T)	A	A1
1" 1/4	54	58	49
1" 1/4	63.5	77.5	60.5
1" 1/2	63.5	77.8	61



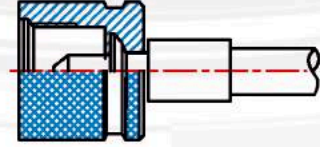
**Test Hortum Rakorları**

Hortum	Ölçü
DN2	6mm Boru Uçlu
DN2	8mm Boru Uçlu
DN2	10mm Boru Uçlu
DN2	12mm Boru Uçlu
DN2	M12x1.5 Somunlu
DN2	M14x1.5 Somunlu
DN2	M16x1.5 Somunlu
DN2	M16x2 Somunlu
DN2	G-1/4 BSP Somunlu
DN4	6mm Boru Uçlu
DN4	8mm Boru Uçlu
DN4	10mm Boru Uçlu
DN4	M12x1.5 Somunlu
DN4	M14x1.5 Somunlu
DN4	M16x1.5 Somunlu
DN4	M12x1.5 Somunlu 90°
DN4	6mm Boru Uçlu Vidalı
DN4	6mm Boru Uçlu Vidalı 90°

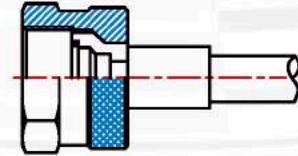
**Soket**

DN2 Soket

DN4 Soket



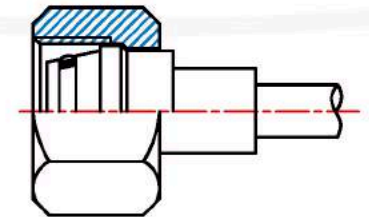
**M16x2 Somunlu**



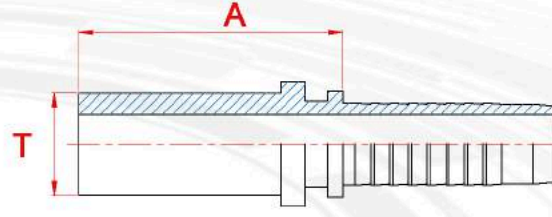
**G 1/4 Somunlu**



**Boru Uçlu**

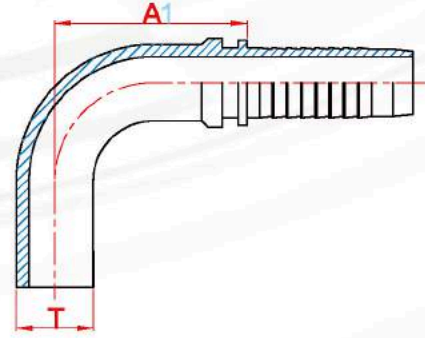
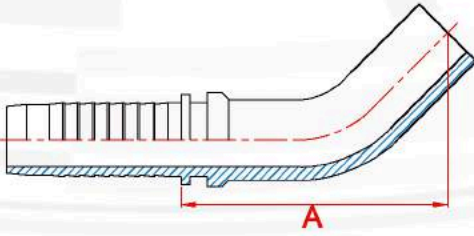


**Metrik Somunlu**



### Boru Uçlu Düz Hortum Rakorları

Hortum	Ölçü (T)	A
3/16"	6	26
1/4"	6	29
1/4"	8	29
1/4"	10	31.5
5/16"	8	26
5/16"	10	29
5/16"	12	32
3/8"	8	30
3/8"	10	32
3/8"	12	32
1/2"	12	35
1/2"	16	38

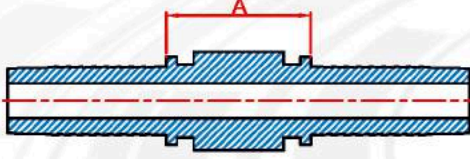


### Boru Uçlu 45°- 90° Sivirmalı Hortum Rakorları

Hortum	Ölçü (T)	A	A1
3/16"	6	23	39
1/4"	6	24	40
1/4"	8	27	44
1/4"	10	30	45
5/16"	8	31	44
5/16"	10	30	45
5/16"	12	33	48
3/8"	8	30	47
3/8"	10	31	46
3/8"	12	34	49
1/2"	12	36	53
1/2"	16	40	57



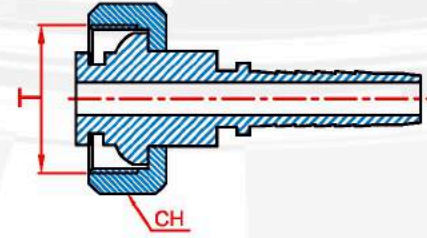
## Presli Ara Ek Rakorlar



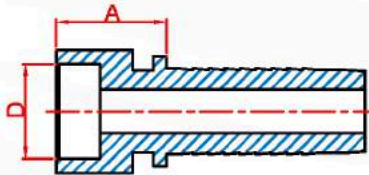
Ebat	A
3/16"	13
1/4"	14
5/16"	14
3/8"	14.6
1/2"	20.6
5/8"	21
3/4"	21
1"	23.6
1" 1/4	28.6
1" 1/2	29.6
2"	30

## Yıkama Makinası Hortum Rakorları

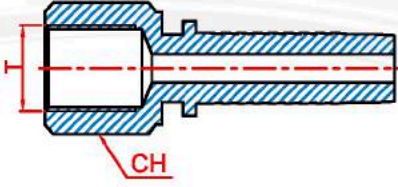
Hortum	Anma Ölçüsü	CH	Ölçü (T)
1/4"	M22x1.5	27	20
5/16"	M22x1.5	27	20
3/8"	M22x1.5	27	20



## Kaynaklı Presli Düz İçler

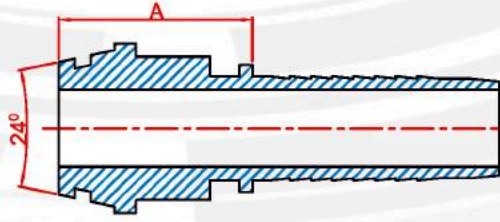


Ebat	D	A
3/16"	6	12
1/4"	8	12.5
5/16"	12	14.5
3/8"	12	14.8
1/2"	16	17.3
5/8"	20	17.5
3/4"	22	17.5
1"	28	21.8
1" 1/4	35	23.8
1" 1/2	38	25.3
2"	48	31.8
2" 1/2	60	40.2
3"	70	47.3



### Gres Hortum Rakorlar

Hortum	CH	T
3/16"	14	1/8" - Sabit Dişi
1/4"	14	1/8" - Sabit Dişi
5/16"	14	1/8" - Sabit Dişi

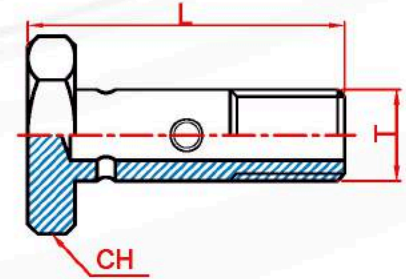


### Metrik Presli Düz İçler

Hortum	A
3/16"	17
1/4"	20.5
5/16"	20.5
3/8"	22.8
1/2"	23.3
5/8"	33.5
3/4"	36.2
1"	40.5
1" 1/4	44.5
1" 1/2	49

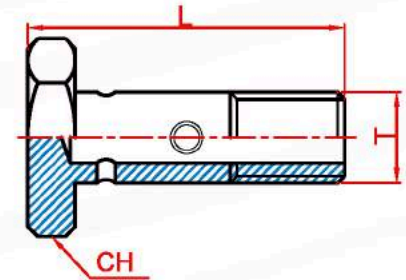
### Metrik Civatalar

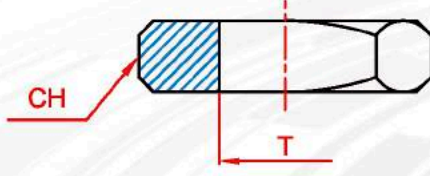
Ölçü	CH	L
M8x1.25	12	20
M10x1	14	25
M12x1.5	17	30
M14x1.5	19	33
M16x1.5	22	36
M18x1.5	24	40



### BSP Civatalar

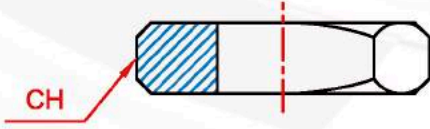
Ölçü	CH	L
1/8" - 28	14	25
1/4" - 19	19	30
3/8" - 19	22	38
1/2" - 14	27	46





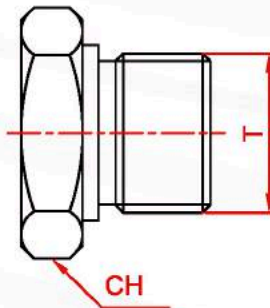
## Metrik Kontra Somunlar

T	CH
M12x1.5	17
M14x1.5	19
M16x1.5	22
M18x1.5	22
M20x1.5	24
M22x1.5	27
M24x1.5	30
M26x1.5	32
M30x2	36
M36x2	46
M42x2	50
M45x2	55
M52x2	60



## BSP Kontra Somunlar

T	CH
1/8" - 28	14
1/4" - 19	17
3/8" - 19	22
1/2" - 14	27
3/4" - 14	32
1" - 11	41
1" 1/4 - 11	50
1" 1/2 - 11	55

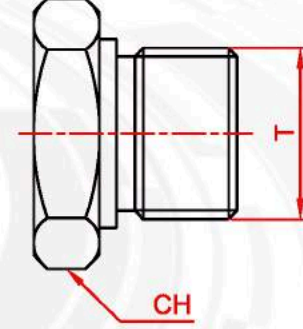


## Metrik Tapalar

T	CH
M12x1.5	17
M14x1.5	19
M16x1.5	22
M18x1.5	24
M20x1.5	24
M22x1.5	27
M24x1.5	30
M30x2	36

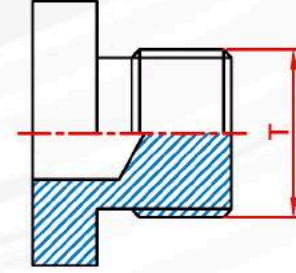
### BSP Tapalar

T	CH
1/8" - 28	14
1/4" - 19	19
3/8" - 19	22
1/2" - 14	27
3/4" - 14	32
1" - 11	41
1" 1/4 - 11	50
1" 1/2 - 11	55



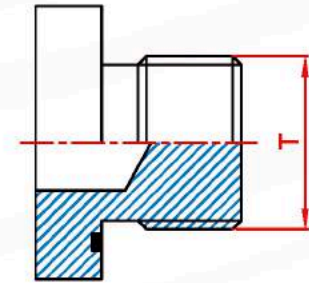
### Metrik Alyan Başlı Tapalar

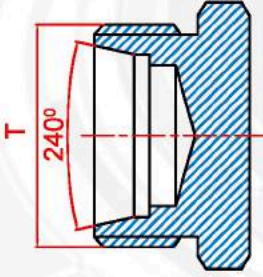
T
M10x1
M12x1.5
M14x1.5
M16x1.5
M18x1.5
M20x1.5
M22x1.5



### BSP Alyan Başlı Tapalar (Oringli)

T
1/8" - 28
1/4" - 19
3/8" - 19
1/2" - 14
3/4" - 14
1" - 11
1" 1/4 - 11
1" 1/2 - 11



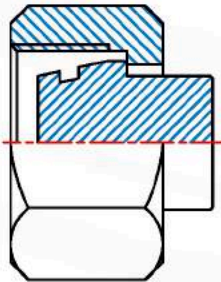


## Metrik Erkek Kör Tapalar

L Tipi	T		Anahtar Ölçüsü (mm)
	M12x1.5	6L	12
	M14x1.5	8L	14
	M16x1.5	10L	17
	M18x1.5	12L	19
	M22x1.5	15L	24
	M26x1.5	18L	27
	M30x2	22L	32
	M36x2	28L	41
	M45x2	35L	46
M52x2	42L	55	

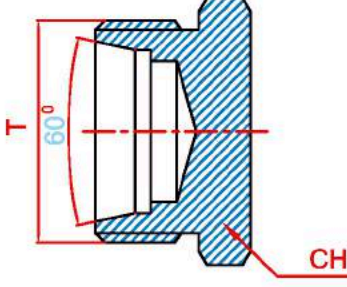
S Tipi	T		Anahtar Ölçüsü (mm)
	M20x1.5	12S	22
	M24x1.5	16S	27
	M30x2	20S	32
	M36x2	25S	41
	M42x2	30S	46
	M52x2	38S	55

## Metrik Somunlu Tapalar



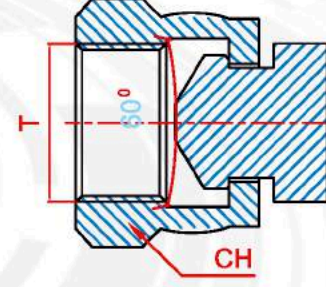
L Tipi	T		Anahtar Ölçüsü (mm)
	M12x1.5	6L	14
	M14x1.5	8L	17
	M16x1.5	10L	19
	M18x1.5	12L	22
	M22x1.5	15L	27
	M26x1.5	18L	32
	M30x2	22L	36
	M36x2	28L	41
	M45x2	35L	50
M52x2	42L	60	

S Tipi	T		Anahtar Ölçüsü (mm)
	M20x1.5	12S	24
	M24x1.5	16S	30
	M30x2	20S	36
	M36x2	25S	46
	M42x2	30S	50
	M52x2	38S	60



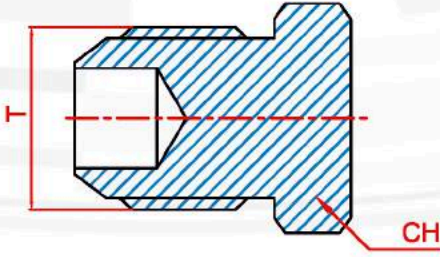
**BSP Erkek Havşalı Tapalar**

T	CH
1/4" - 19	19
3/8" - 19	22
1/2" - 14	27
3/4" - 14	32
1" - 11	41
1" 1/4 - 11	50



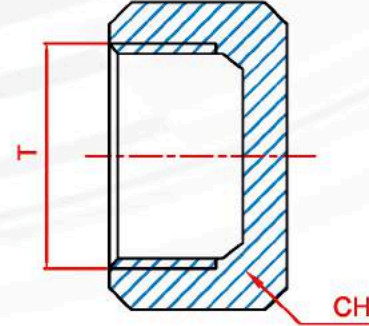
**BSP Dişi Tapalar**

T	CH
1/4" - 19	19
3/8" - 19	22
1/2" - 14	27
3/4" - 14	32
1" - 11	41
1" 1/4 - 11	50



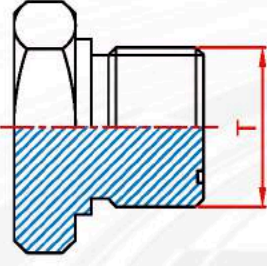
**UNF Erkek Kör Tapalar**

T	CH
7/16"-20	14
1/2"-20	14
9/16"-18	17
5/8"-18	17
3/4"-16	19
7/8"-14	24
1"1/16-12	27
1"5/16-12	36
1"5/8-12	46
1"7/8-12	50



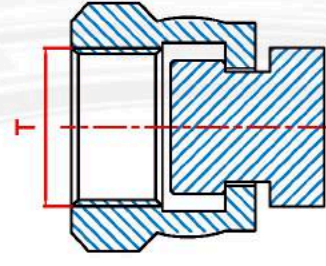
**UNF Kör Somun**

T	CH
7/16"-20	14
1/2"-20	17
9/16"-18	19
5/8"-18	21
3/4"-16	24
7/8"-14	27
1"1/16-12	32
1"5/16-12	41
1"5/8-12	50
1"7/8-12	55



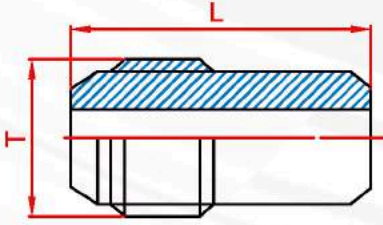
## ORFS Erkek Tapalar

T	Anahtar Ölçüsü (mm)
9/16-18	17
11/16-16	19
13/16-16	22
1" - 14	27
1" 3/16-12	32
1" 7/16-12	41
1" 11/16-12	46



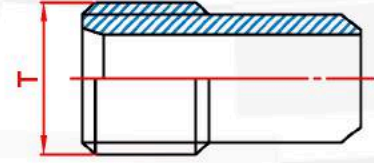
## ORFS Somunlu Tapalar

Dış Ölçüsü	Anahtar Ölçüsü (mm)
9/16-18	19
11/16-16	22
13/16-16	24
1" - 14	30
1" 3/16-12	36
1" 7/16-12	41
1" 11/16-12	50



## UNF Kaynaklık Nipeller

Dış Ölçüsü	Boy Ölçüsü (mm)
1/2" - 20	28.5
9/16" - 18	33
5/8" - 18	35
3/4" - 16	40
7/8" - 14	40
1" 1/16 - 12	50
1" 5/16 - 12	55



## BSP Erkek Kaynaklık Nipeller

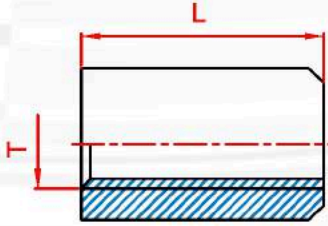
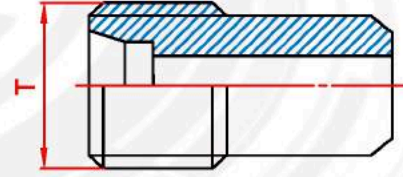
Dış Ölçüsü	Boy Ölçüsü (mm)
R1/4" - 19	25
R3/8" - 19	27
R1/2" - 14	30
R3/4" - 14	32
R1" - 11	35
R1" 1/4 - 11	40
R1" 1/2 - 11	44
R2" - 11	45
R2" 1/2 - 11	45
R3" - 11	45



### Metrik Kaynaklık Nipeller

L Tipi	Dış Ölçüsü	
	M12x1.5	6L
	M14x1.5	8L
	M16x1.5	10L
	M18x1.5	12L
	M22x1.5	15L
	M26x1.5	18L
	M30x2	22L
	M36x2	28L
	M45x2	35L
M52x2	42L	

S Tipi	Dış Ölçüsü	
	M20x1.5	12S
	M24x1.5	16S
	M30x2	20S
	M36x2	25S
	M42x2	30S
M52x2	38S	

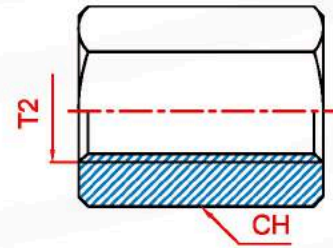


### BSP Kaynaklı Maşonlar

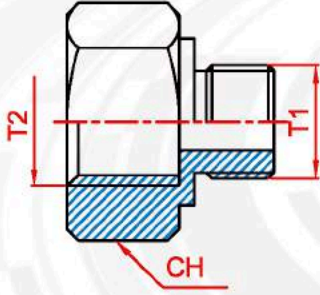
T	L
R1/4" - 19	14
R3/8" - 19	14
R1/2" - 14	17
R3/4" - 14	20
R1" - 11	23

### BSP Altı Köşe Maşonlar

T2	CH
R1/8" - 28	14
R1/4" - 19	17
R3/8" - 19	22
R1/2" - 14	27
R3/4" - 14	32
R1" - 11	41
R1" 1/4 - 11	50
R1" 1/2 - 11	55

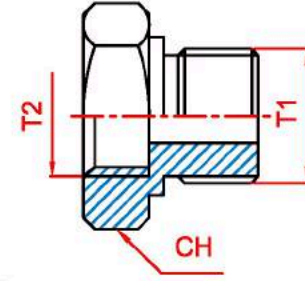






## BSP Uzun Tip Redüksiyonlar

T2	T1	CH
R1/8-28	R1/8-28	14
R1/8-28	R1/4-19	19
R1/4-19	R1/8-28	19
R1/4-19	R1/4-19	19
R1/4-19	R3/8-19	24
R1/4-19	R1/2-14	30
R3/8-19	R1/4-19	24
R3/8-19	R3/8-19	24
R3/8-19	R1/2-14	30
R3/8-19	R3/4-14	36
R1/2-14	R3/8-19	30
R1/2-14	R1/2-14	30
R1/2-14	R3/4-14	36
R1/2-14	R1"-11	41
R3/4-14	R1/2-14	36
R3/4-14	R1"-11	41
R3/4-14	R1" 1/4-11	55
R1"-11	R3/4-14	41
R1"-11	R1" 1/4-11	55
R1"-11	R1" 1/2-11	60
R1" 1/4-11	R1"-11	55
R1" 1/4-11	R1" 1/2-11	60
R1" 1/2-11	R1" 1/4-11	60

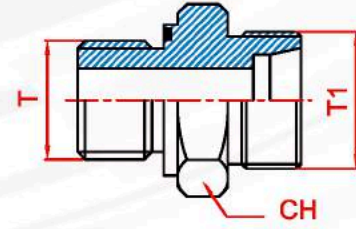


## BSP Kısa Tip Redüksiyonları

T2	T1	CH
R1/4" - 19	R1/8" - 28	19
R3/8" - 19	R1/8" - 19	22
R3/8" - 19	R1/4" - 19	22
R1/2" - 14	R3/8" - 19	27
R1/2" - 14	R1/4" - 19	27
R3/4" - 14	R1/2" - 14	32
R3/4" - 14	R3/8" - 19	32
R1" - 11	R3/4" - 14	41
R1" - 11	R1/2" - 14	41
R1" 1/4 - 11	R1" - 11	50
R1" 1/4 - 11	R3/4" - 14	50
R1" 1/2 - 11	R1" 1/4 - 11	55
R1" 1/2 - 11	R1" - 11	55

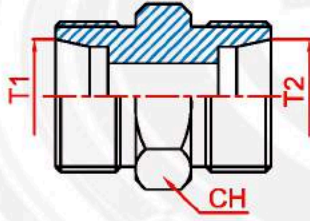
**BSP-Metrik Nipeller (Oringli)**

L Tipi	T	T1	CH
	R1/8" - 28	M10x1 6LL	14
R1/8" - 28	M12x1.5 6L	14	
R1/8" - 28	M14x1.5 8L	14	
R1/8" - 28	M16x1.5 10L	17	
R1/4" - 19	M12x1.5 6L	19	
R1/4" - 19	M14x1.5 8L	19	
R1/4" - 19	M16x1.5 10L	19	
R1/4" - 19	M18x1.5 12L	19	
R3/8" - 19	M12x1.5 6L	22	
R3/8" - 19	M14x1.5 8L	22	
R3/8" - 19	M16x1.5 10L	22	
R3/8" - 19	M18x1.5 12L	22	
R3/8" - 19	M22x1.5 15L	22	
R1/2" - 14	M12x1.5 6L	27	
R1/2" - 14	M14x1.5 8L	27	
R1/2" - 14	M16x1.5 10L	27	
R1/2" - 14	M18x1.5 12L	27	
R1/2" - 14	M22x1.5 15L	27	
R1/2" - 14	M26x1.5 18L	27	
R1/2" - 14	M30x2 22L	27	
R3/4" - 14	M18x1.5 12L	32	
R3/4" - 14	M22x1.5 15L	32	
R3/4" - 14	M26x1.5 18L	32	
R3/4" - 14	M30x2 22L	32	
R3/4" - 14	M36x2 28L	36	
R1" - 11	M30x2 22L	41	
R1" - 11	M36x2 28L	41	
R1" - 11	M45x2 35L	46	
R1" 1/4 - 11	M36x2 28L	50	
R1" 1/4 - 11	M45x2 35L	50	
R1" 1/4 - 11	M52x2 42L	55	
R1" 1/2 - 11	M45x2 35L	55	
R1" 1/2 - 11	M52x2 42L	55	



S Tipi	T	T1	CH
	R1/8 - 28	M14x1.5 6S	14
R1/4" - 19	M14x1.5 6S	19	
R1/4" - 19	M16x1.5 8S	19	
R1/4" - 19	M18x1.5 10S	19	
R1/4" - 19	M20x1.5 12S	22	
R3/8" - 19	M16x1.5 8S	22	
R3/8" - 19	M18x1.5 10S	22	
R3/8" - 19	M20x1.5 12S	22	
R3/8" - 19	M24x1.5 16S	27	
R1/2" - 14	M20x1.5 12S	27	
R1/2" - 14	M24x1.5 16S	27	
R1/2" - 14	M30x2 20S	32	
R3/4" - 14	M24x1.5 16S	32	
R3/4" - 14	M30x2 20S	32	
R3/4" - 14	M36x2 25S	36	
R1" - 11	M24x1.5 16S	41	
R1" - 11	M30x2 20S	41	
R1" - 11	M36x2 25S	41	
R1" - 11	M42x2 30S	46	
R1" 1/4 - 11	M30x2 20S	50	
R1" 1/4 - 11	M36x2 25S	50	
R1" 1/4 - 11	M42x2 30S	50	
R1" 1/4 - 11	M52x2 38S	55	
R1" 1/2 - 11	M36x2 25S	55	
R1" 1/2 - 11	M42x2 30S	55	
R1" 1/2 - 11	M52x2 38S	55	

## Metrik Ara Nipeller



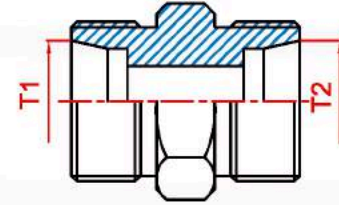
L Tipi	T1-2		CH
	M10x1	6LL	12
	M12x1,5	6L	12
	M14x1,5	8L	14
	M16x1,5	10L	17
	M18x1,5	12L	19
	M22x1,5	15L	22
	M26x1,5	18L	27
	M30x2	22L	32
	M36x2	28L	36
M45x2	35L	46	
M52x2	42L	55	

S Tipi	T1-2		CH
	M14x1,5	6S	14
	M16x1,5	8S	17
	M18x1,5	10S	19
	M20x1,5	12S	22
	M24x1,5	16S	24
	M30x2	20S	32
	M36x2	25S	36
	M42x2	30S	46
	M52x2	38S	55

## Metrik Orantı Nipelleri

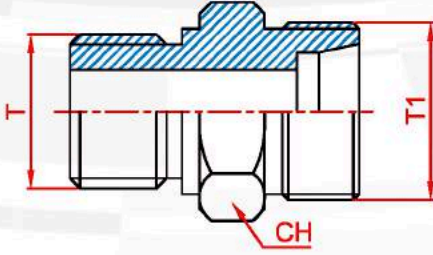
L Tipi	T1	T2
	M14x1,5 8L	M12x1,5 6L
	M16x1,5 10L	M12x1,5 6L
	M16x1,5 10L	M14x1,5 8L
	M18x1,5 12L	M12x1,5 6L
	M18x1,5 12L	M14x1,5 8L
	M18x1,5 12L	M16x1,5 10L
	M22x1,5 15L	M16x1,5 10L
	M22x1,5 15L	M18x1,5 12L
	M26x1,5 18L	M16x1,5 10L
	M26x1,5 18L	M18x1,5 12L
	M26x1,5 18L	M22x1,5 15L
	M30x2 22L	M14x1,5 8L
	M30x2 22L	M22x1,5 15L

S Tipi	T1	T2
	M24x1,5 16S	M20x1,5 12S
	M30x2 20S	M24x1,5 16S
	M36x2 25S	M24x1,5 16S
M36x2 25L	M30x2 20L	





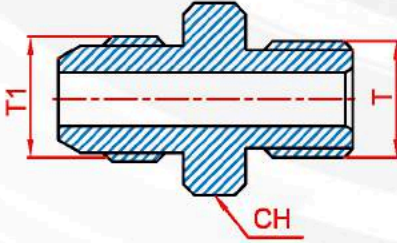
Metrik Blok - Metrik 24° Nipeller



L Tipi	T	T1
	M12x1,5	M12x1,5 6L
	M12x1,5	M14x1,5 8L
	M14x1,5	M14x1,5 8L
	M14x1,5	M16x1,5 10L
	M14x1,5	M18x1,5 12L
	M16x1,5	M14x1,5 8L
	M16x1,5	M16x1,5 10L
	M16x1,5	M18x1,5 12L
	M18x1,5	M16x1,5 10L
	M18x1,5	M18x1,5 12L
	M18x1,5	M22x1,5 15L
	M22x1,5	M14x1,5 8L
	M22x1,5	M16x1,5 10L
	M22x1,5	M18x1,5 12L
	M22x1,5	M22x1,5 15L
M22x1,5	M26x1,5 18L	

S Tipi	T	T1
	M18x1,5	M20x1,5 12S
M22x1,5	M24x1,5 16S	

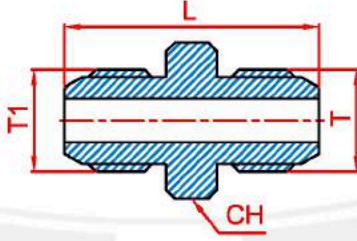
## BSP-UNF Nipeller



T	T1	CH
R1/8" - 28	7/16" - 20	14
R1/4" - 19	7/16" - 20	19
R1/4" - 19	1/2" - 20	19
R1/4" - 19	9/16" - 18	19
R1/4" - 19	5/8" - 18	22
R1/4" - 19	3/4" - 16	22
R3/8" - 19	7/16" - 20	19
R3/8" - 19	1/2" - 20	19
R3/8" - 19	9/16" - 18	19
R3/8" - 19	5/8" - 18	22
R3/8" - 19	3/4" - 16	22
R3/8" - 19	7/8" - 14	24
R1/2" - 14	1/2" - 20	24
R1/2" - 14	9/16" - 18	24
R1/2" - 14	5/8" - 18	24
R1/2" - 14	3/4" - 16	27
R1/2" - 14	7/8" - 14	27
R1/2" - 14	1" 1/16 - 12	27
R3/4" - 14	3/4" - 16	32
R3/4" - 14	7/8" - 14	32
R3/4" - 14	1" 1/16 - 12	32
R3/4" - 14	1" 5/16 - 12	36
R1" - 11	1" 1/16 - 12	41
R1" - 11	1" 5/16 - 12	41
R1" 1/4 - 11	1" 5/16 - 12	50
R1" 1/4 - 11	1" 5/8 - 12	50
R1" 1/2 - 11	1" 7/8 - 12	55

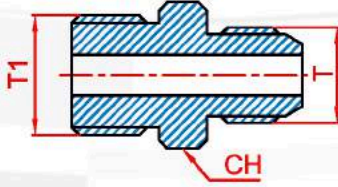


## UNF-UNF Ara Nipeller



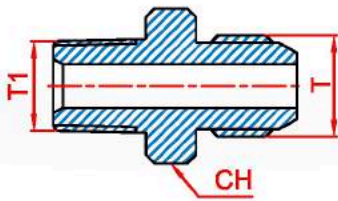
T	T1	CH	L
7/16" - 20	7/16" - 20	12	35
1/2" - 20	1/2" - 20	14	35
9/16" - 18	9/16" - 18	17	36
5/8" - 18	5/8" - 18	22	38
3/4" - 16	3/4" - 16	22	41
7/8" - 14	7/8" - 14	24	48
1" 1/16 - 12	1" 1/16 - 12	30	55
1" 5/16 - 12	1" 5/16 - 12	36	57
1" 5/8 - 12	1" 5/8 - 12	46	61.5
1" 7/8 - 12	1" 7/8 - 12	50	70

## Metrik Blok - UNF Nipeller

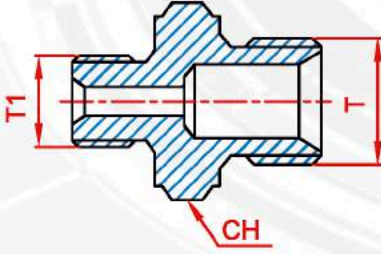


T1	CH	T
M16x1.5	22	5/8" - 18
M16x1.5	22	3/4" - 16
M18x1.5	22	3/4" - 16
M22x1.5	27	5/8" - 18
M22x1.5	27	3/4" - 16

## NPT - UNF Nipeller

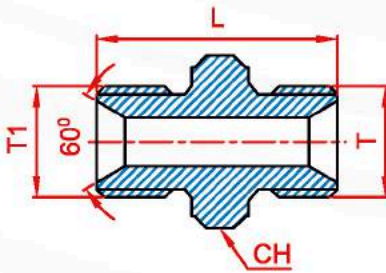


T1	CH	T
1/8" - 28	12	7/16" - 20
1/4" - 19	14	7/16" - 20
1/4" - 19	14	1/2" - 20
1/4" - 19	17	9/16" - 18
1/4" - 19	17	5/8" - 18
1/4" - 19	19	3/4" - 16
3/8" - 19	19	9/16" - 18
3/8" - 19	19	5/8" - 18
3/8" - 19	19	3/4" - 16
1/2" - 14	22	9/16" - 18
1/2" - 14	22	5/8" - 18
1/2" - 14	22	3/4" - 16
1/2" - 14	24	7/8" - 14
3/4" - 14	27	1" 1/16 - 12



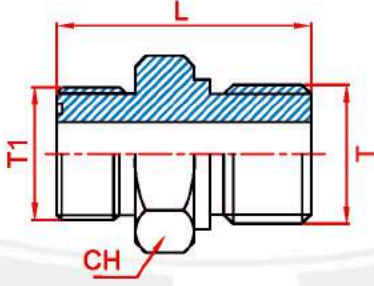
## BSP-BSP Orantılı Nipeller

T1	T	CH
1/8" - 28	1/4" - 19	19
1/8" - 28	3/8" - 19	22
1/4" - 19	3/8" - 19	22
1/4" - 19	1/2" - 14	27
1/4" - 19	3/4" - 14	32
3/8" - 19	1/2" - 14	27
3/8" - 19	3/4" - 14	32
1/2" - 14	5/8" - 14	30
1/2" - 14	3/4" - 14	32
1/2" - 14	1" - 11	41
5/8" - 14	3/4" - 14	32
3/4" - 14	1" - 11	41
3/4" - 14	1" 1/4" - 11	50
1" - 11	1" 1/4" - 11	50
1" - 11	1" 1/2" - 11	55
1" 1/4" - 11	1" 1/2" - 11	55
1" 1/4" - 11	2" - 11	65
1" 1/2" - 11	2" - 11	65
2" - 11	2" 1/2" - 11	70
2" 1/2" - 11	3" - 11	75



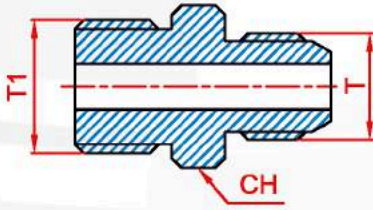
## BSP-BSP Nipeller

T1	T	CH	L
1/8" - 28	1/8" - 28	14	25
1/4" - 19	1/4" - 19	19	31
3/8" - 19	3/8" - 19	22	35
1/2" - 14	1/2" - 14	27	40
5/8" - 14	5/8" - 14	32	42
3/4" - 14	3/4" - 14	32	45.5
1" - 11	1" - 11	41	52
1" 1/4" - 11	1" 1/4" - 11	50	58
1" 1/2" - 11	1" 1/2" - 11	55	64
2" - 11	2" - 11	65	69
2" 1/2" - 11	2" 1/2" - 11	82	76
3" - 11	3" - 11	96	82



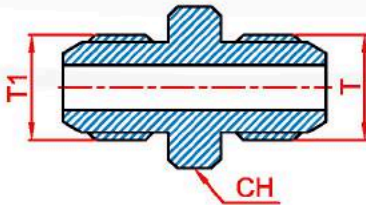
### BSP-ORFS Nipeller

T	T1	CH	L
1/4" - 19	9/16" - 18	19	30.5
1/4" - 19	11/16" - 16	19	32
3/8" - 19	11/16" - 16	22	33
3/8" - 19	13/16" - 16	22	34.5
1/2" - 14	13/16" - 16	27	38.5
1/2" - 14	1" - 14	27	41
3/4" - 14	1" 3/16 - 12	32	46
3/4" - 14	1" 7/16 - 12	41	53
1" - 11	1" 7/16 - 12	41	49
1" 1/4 - 11	1" 11/16 - 12	50	54



### BSP Blok - BSP Bombeli Nipeller

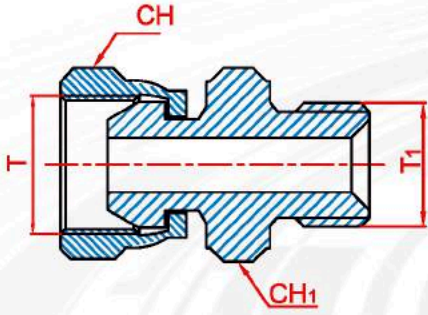
T1	CH	T
1/4" - 19	19	1/4" - 19
3/8" - 19	22	3/8" - 19
1/2" - 14	27	1/2" - 14
3/4" - 14	32	3/4" - 14
1" - 11	41	1" - 11



### BSP Bombeli - BSP Bombeli Nipeller

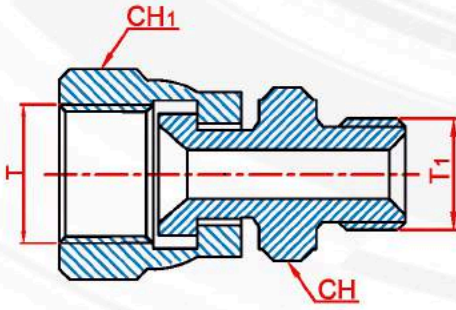
T1	CH	T
1/4" - 19	19	1/4" - 19
3/8" - 19	22	3/8" - 19
1/2" - 14	27	1/2" - 14
3/4" - 14	32	3/4" - 14
1" - 11	41	1" - 11





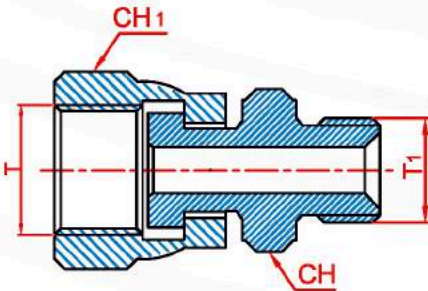
## BSP Ters Nipeller

T1	T	CH	CH1
1/8" - 28	1/8" - 28	14	14
1/4" - 19	1/4" - 19	19	19
3/8" - 19	3/8" - 19	22	22
1/2" - 14	1/2" - 14	27	27
3/4" - 14	3/4" - 14	32	32
1" - 11	1" - 11	41	41
1" 1/4 - 11	1" 1/4 - 11	50	50
1" 1/2 - 11	1" 1/2 - 11	55	55



## UNF Ters Nipeller

T1	T	CH	CH1
1/8" - 28	7/16" - 20	14	15
1/4" - 19	7/16" - 20	19	17
1/4" - 19	1/2" - 20	19	17
1/4" - 19	9/16" - 18	19	19
3/8" - 19	9/16" - 18	22	19
3/8" - 19	5/8" - 18	22	22
3/8" - 19	3/4" - 16	22	24
1/2" - 14	9/16" - 18	27	22
1/2" - 14	5/8" - 18	27	24
1/2" - 14	3/4" - 16	27	27
1/2" - 14	7/8" - 14	32	27
3/4" - 14	7/8" - 14	32	32
3/4" - 14	1" 1/16 - 12	41	32
1" - 11	1" 1/16 - 12	41	41
1" - 11	1" 5/16 - 12		



## ORFS Ters Nipeller

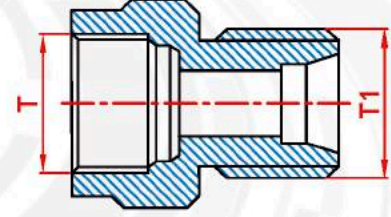
T1	T	CH	CH1
1/4" - 19	9/16" - 18	19	19
1/4" - 19	11/16" - 16	19	22
3/8" - 19	11/16" - 16	22	22
3/8" - 19	13/16" - 16	22	24
1/2" - 14	13/16" - 16	27	24
1/2" - 14	1" - 14	27	30
3/4" - 14	1" 3/16 - 12	32	36
3/4" - 14	1" 7/16 - 12	41	41
1" - 11	1" 7/16 - 12	41	41
1" 1/4 - 11	1" 11/16 - 12	50	50

**Manometre Erkek Rakorlar**

L Tipi	T	T1
	R1/4-19	M12x1,5 6L
	R1/4-19	M14x1,5 8L
	R1/4-19	M16x1,5 10L
	R1/4-19	M18x1,5 12L
	R1/2-14	M12x1,5 6L
	R1/2-14	M14x1,5 8L
	R1/2-14	M16x1,5 10L
	R1/2-14	M18x1,5 12L

S Tipi	T	T1
	R1/4-19	M14x1,5 6S
	R1/4-19	M16x1,5 8S
	R1/4-19	M18x1,5 10S
	R1/2-14	M14x1,5 6S
	R1/2-14	M16x1,5 8S
R1/2-14	M18x1,5 10S	



**Metrik Perde Geçiş Nipelleri**

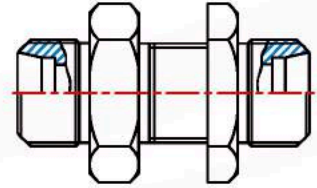
L Tipi	Dış Ölçüsü Boru Çapı	
	M12x1.5	6L
	M14x1.5	8L
	M16x1.5	10L
	M18x1.5	12L
	M22x1.5	15L
	M26x1.5	18L
	M30x2	22L
	M36x2	28L
	M45x2	35L
M52x2	42L	

S Tipi	Dış Ölçüsü Boru Çapı	
	M14x1,5	6S
	M16x1,5	8S
	M18x1,5	10S
	M20x1,5	12S
	M24x1,5	16S
	M30x2	20S
	M36x2	25S
	M42x2	30S
	M52x2	38S

**BSP Perde Geçiş Nipelleri**

T1 - T2	CH1 - CH2
1/4" - 19	19
3/8" - 19	22
1/2" - 14	27
3/4" - 14	32
1" - 11	41



**UNF Perde Geçiş Nipelleri**

T1 - T2	CH1 - CH2
7/16"-20	14
1/2"-20	19
9/16"-18	19
3/4"-16	22
7/8"-14	27
1"1/16-12	32
1"5/16-12	41